

The FICEP Infrastructure

How We Deployed the Italian eIDAS Node in the Cloud

P. Smiraglia, M. De Benedictis, A. Atzeni, A. Lioy and M. Pucciarelli

eDemocracy 2017: December 14th, 2017

What FICEP is?

- First Italian Crossborder eIDAS Proxy
- Connect SPID to eIDAS

spid

Sistema Pubblico
di Identità Digitale



Who is FICEP?



**POLITECNICO
DI TORINO**

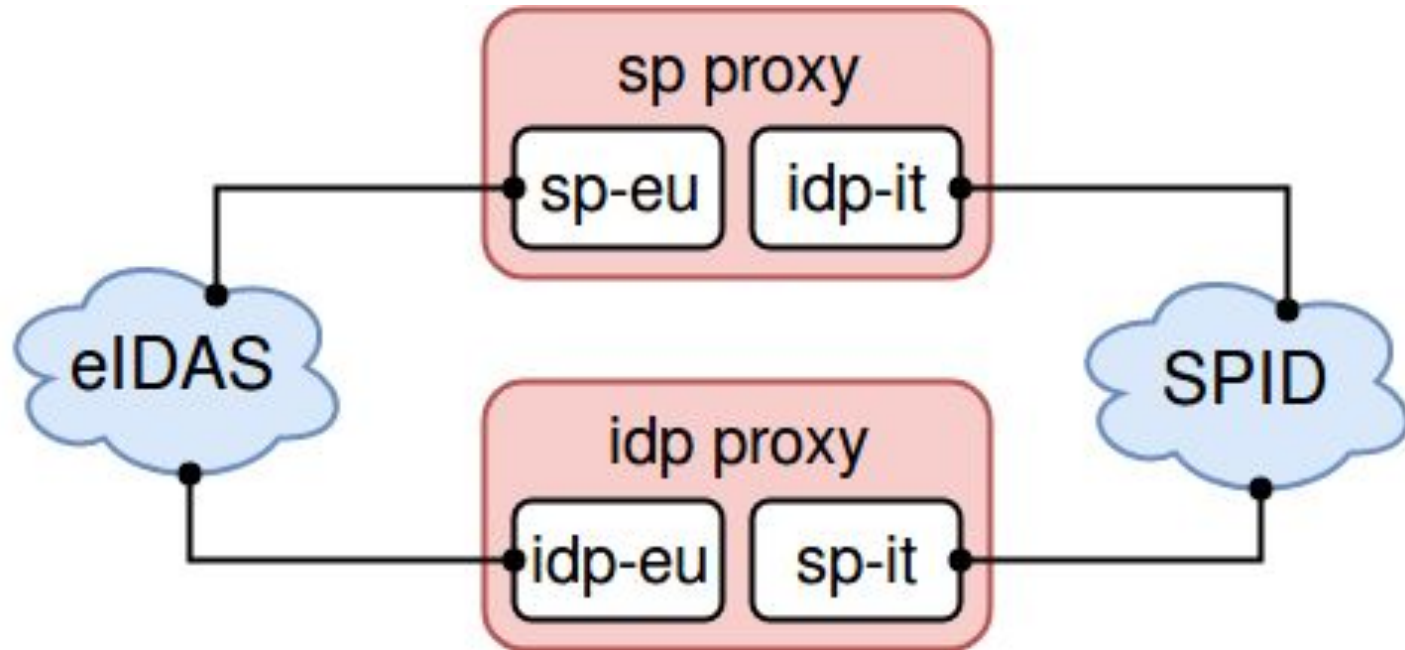


Agenzia per l'Italia Digitale
Presidenza del Consiglio dei Ministri

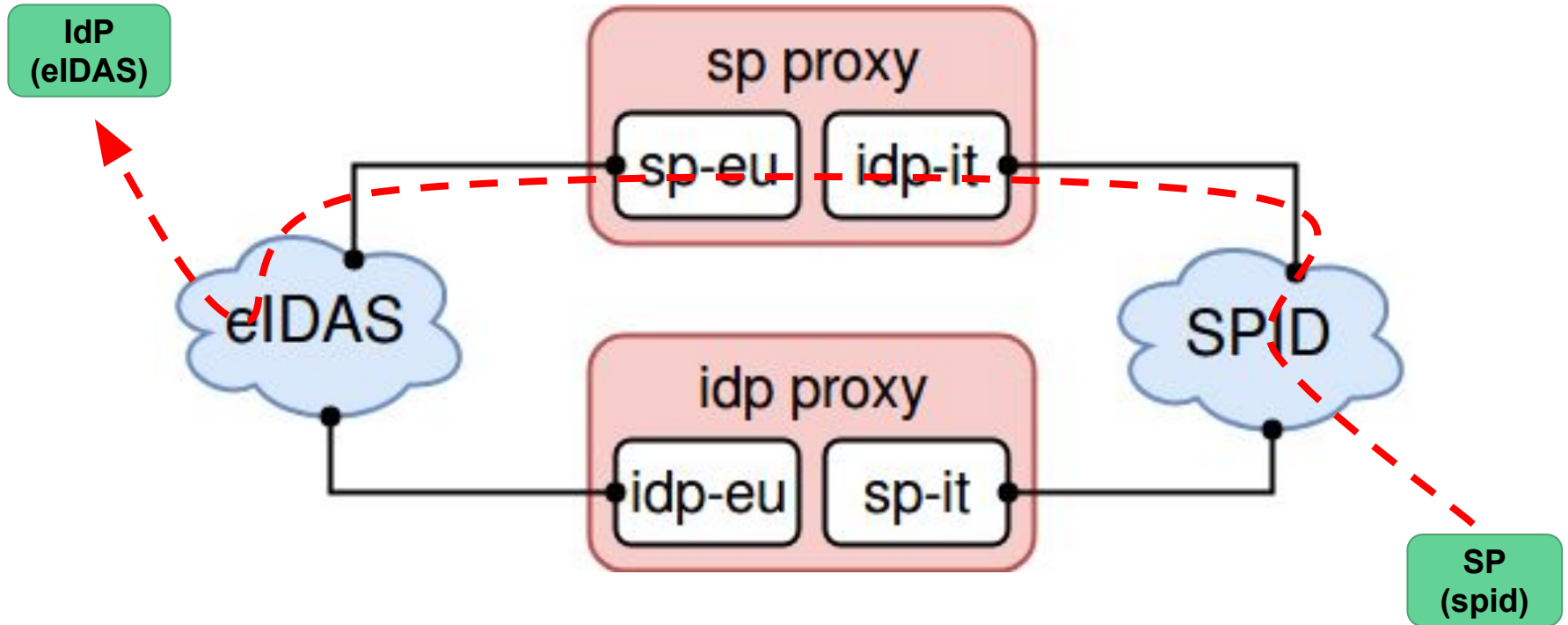


What about technical aspects?

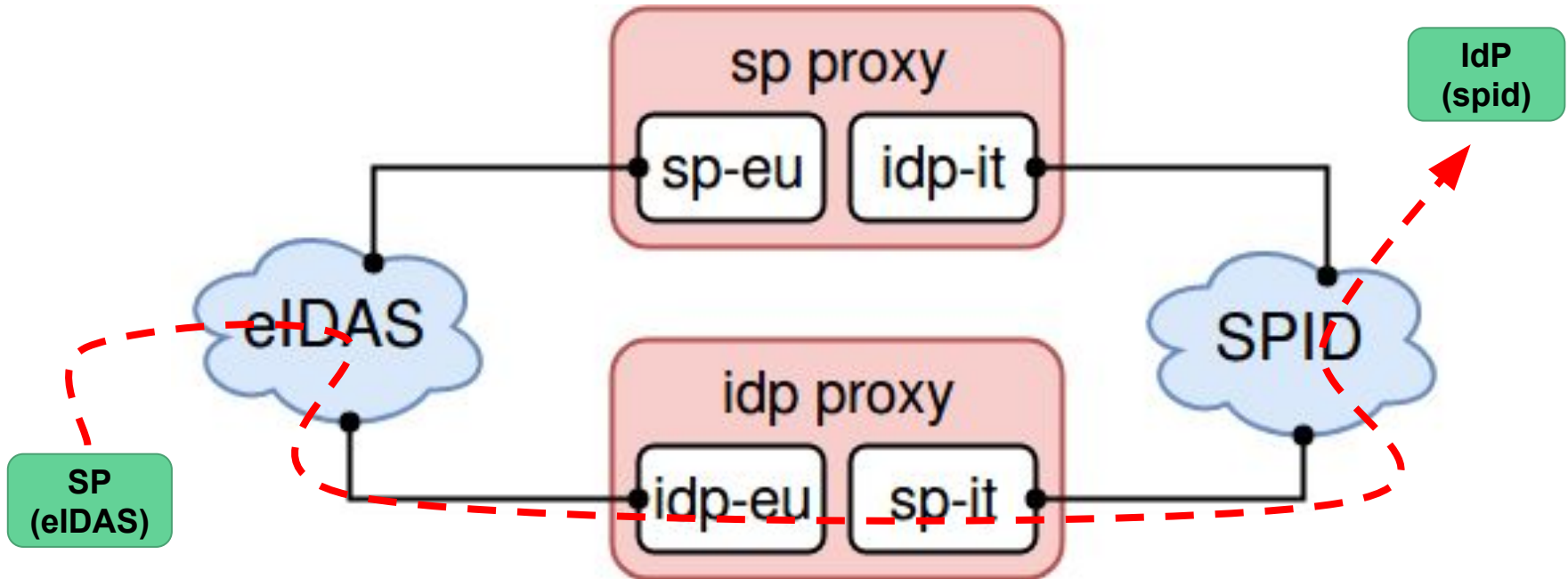
The FICEP proxy



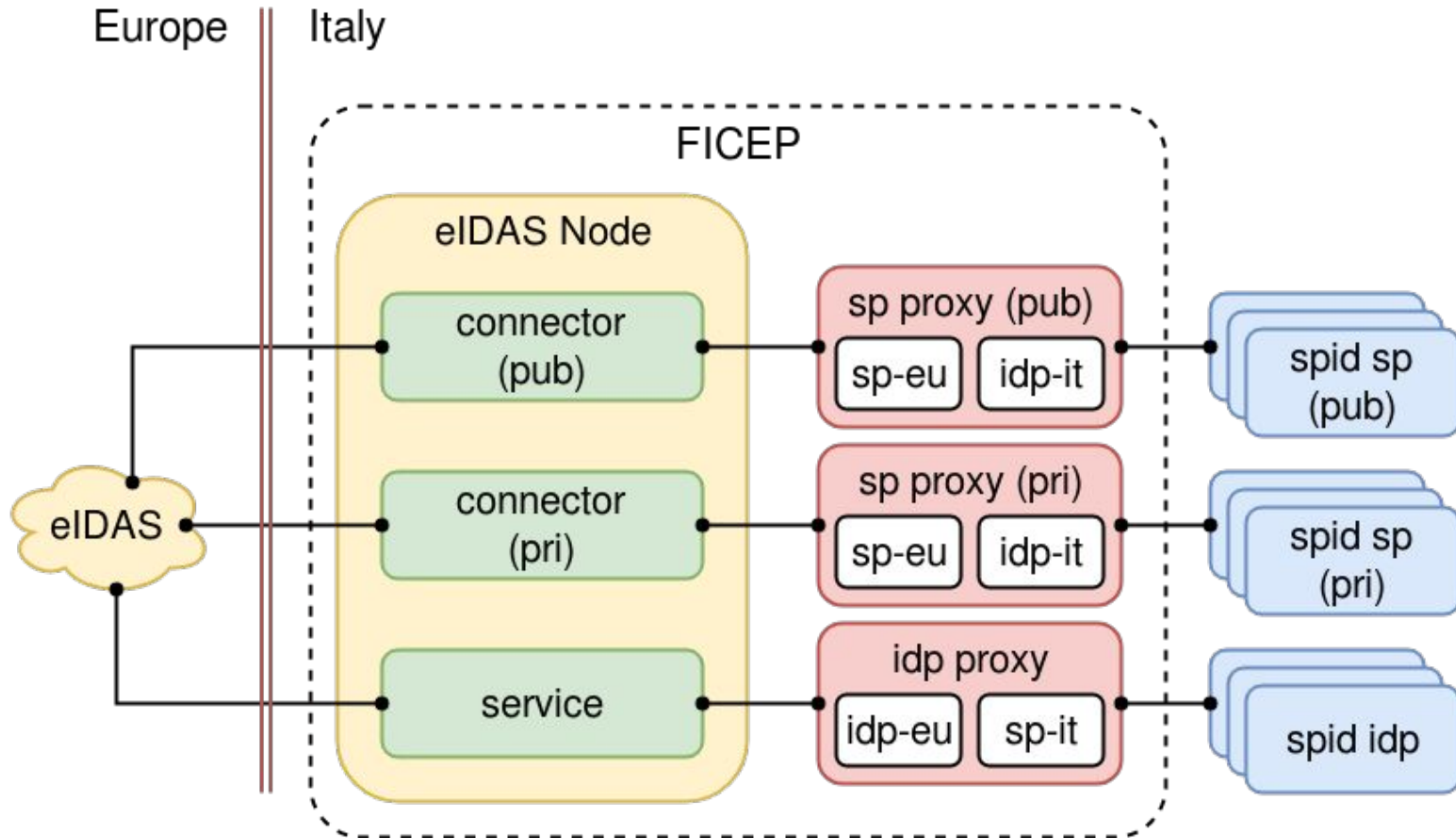
The FICEP proxy



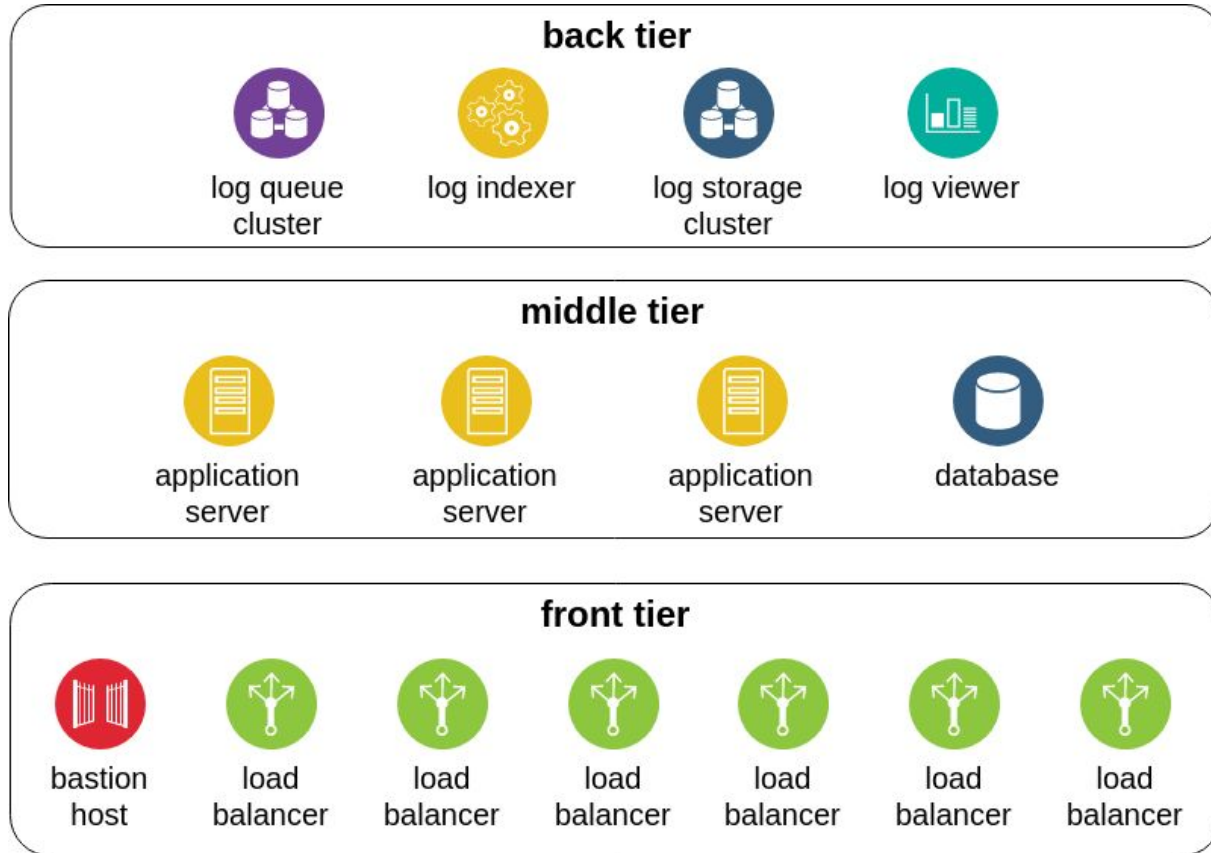
The FICEP proxy



FICEP infrastructure



FICEP cloud architecture

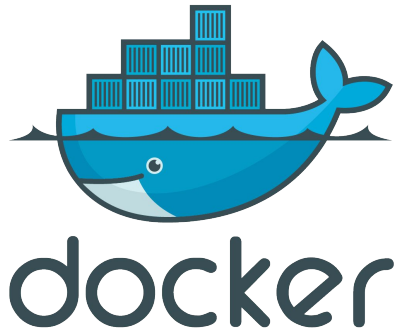


Tools and framework behind FICEP

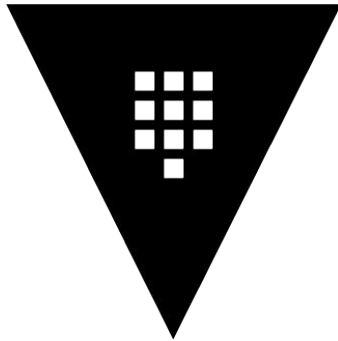


Plans for the future...

Why not containers?



Secrets management



HashiCorp

Vault



OpenStack
Barbican

Thank you for your
attention!

Backup

Attributes: direct mapping

eIDAS	SPID
PersonalIdentifier	spidCode
FirstName	name
FamilyName	familyName
DateOfBirth	dateOfBirth
BirthName	name
PlaceOfBirth	placeOfBirth
Gender	gender
VATRegistration	ivaCode

Attributes: missing mapping

- eIDAS attributes
 - TaxReference
 - LegalPersonIdentifier
 - LegalName
 - LegalAddress
 - D-2012-17-EUIdentifier
 - LEI
 - EORI
 - SEED
 - SIC
- SPID attributes
 - fiscalNumber
 - registeredOffice
 - countyOfBirth
 - companyName
 - idCard
 - mobilePhone
 - Email
 - expirationDate
 - digitalAddress